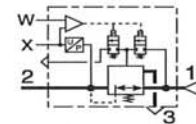


MERKMALE

The PULSTRONIC II is a compact electropneumatic pressure regulator (E/P transducer) which converts an electrical signal into a pneumatic pressure. It is particularly suited for precise pressure regulation due to its integrated control loop with electronic pressure feedback.

GENERAL

Fluid	: Air or neutral gases, filtered at 50 µm, lubricated or unlubricated
Connection	: G 1/4
Operating pressure	: see "pressure range"
Temperature	: 0 °C to +60 °C
- Fluid	: 0 °C to +50 °C
- Ambient	: 0 °C to +50 °C
Analog setpoint	: 0 - 10 V, 0 - 20 mA, 4 - 20 mA
Failsafe behaviour	: Pressure held on loss of power, without control
Hysteresis	: < 1 % of span
Repeatability	: ± 0,5 % of span



CONSTRUCTION

Body: POM
 Internal parts: POM
 Seals: NBR, FPM

ELECTRICAL CHARACTERISTICS

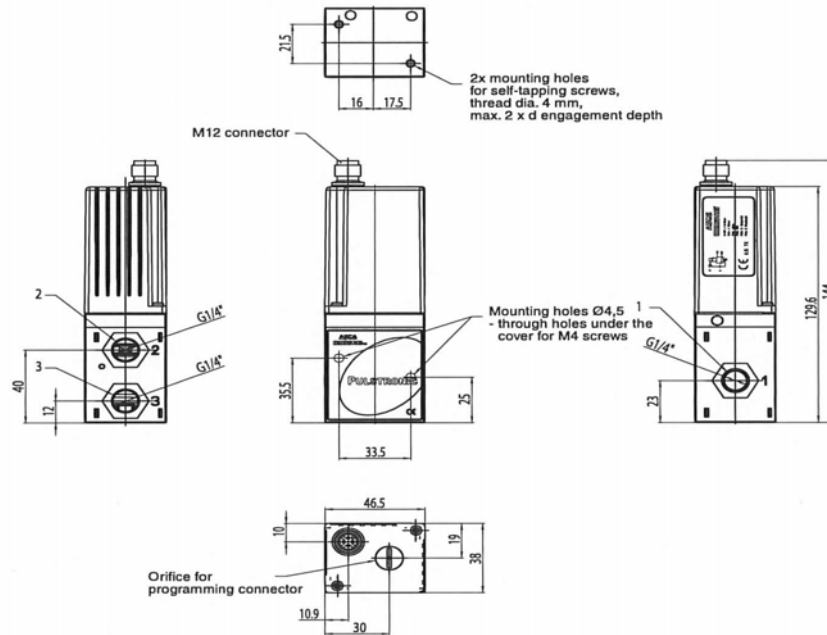
voltage (residual ripple: max.10 %)	max. power (W)	max. current (mA)	insulation class	protection degree	electrical connection
24 V= +/-10%	3,6	150	F	IP 65	5-pin M12 connector (to be ordered separately)

SPECIFICATIONS

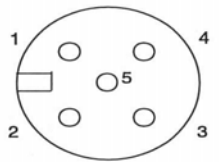
pipe size	nominal diameter DN (mm)	flow coefficient	
		K _v (Nm ³ /h)	at 6 bar (Nl/min)
G 1/4	4	0,25	470

VALVES PULSTRONIC II

DIMENSIONS AND WEIGHT
VERSION G 1/4
 Weight: 182 g



CONNECTOR PINNING / CABLE WIRING



View from solder side

Pin	description	5-wire cable (2m)	6-wire cable (5m, 10m)
1	24V voltage supply	brown	brown
2	Analog setpoint input	white	white
3	Supply ground	blue	green
4	Analog output (feedback)	black	pink
5	PE connection	grey	grey
Cable shield	EMC shield	shield	shield

*) A 6-wire cable with separate analog ground is used for cable lengths over 2 m to set off the voltage drop for the setpoint.